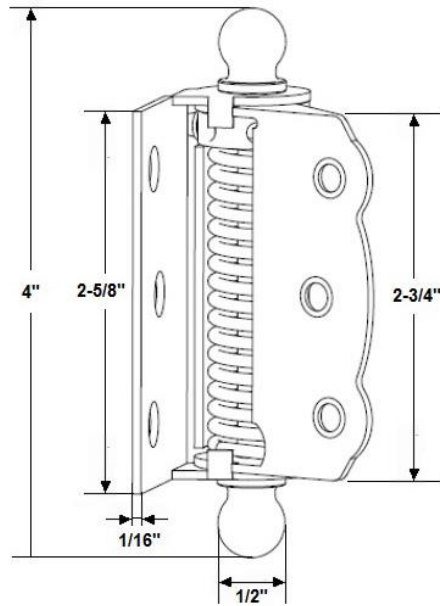


Product Data Sheet
Premium Grade Solid Brass
Half Surface Adjustable Spring Screen Door Hinge with Ball Finials
Item# 80320



Dimensions:

- Height (Mortise Leaf): 2-5/8"
- Height (Embossed Leaf): 2-3/4"
- Overall Height: 4" (finial to finial)
- Ball Finial Diameter: 1/2"
- Gauge: 1/16"
- Weight: 16 oz. per hinge

Dimensions are for reference use only.

For exact dimensions, please measure actual part.

Product Description & Features:

80320 Half Surface Adjustable Spring Screen Door Hinge with Ball Finials (Pair)



**Half-Surface Adjustable Spring Screen Door
Hinge with Ball Finials**